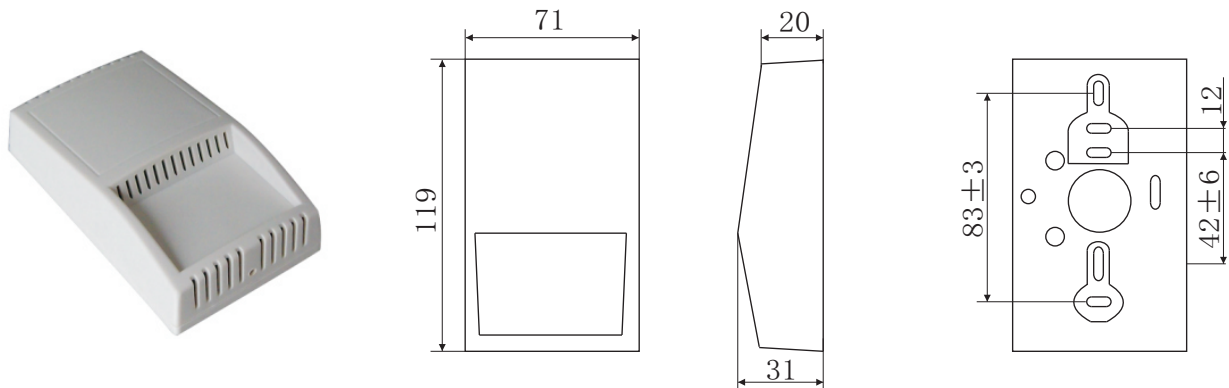


Indoor Humidity&Temperature Transmitter

Introduction

Indoor Humidity&Temperature Transmitter is small, easy installation, and other features, there are several kinds of the power supply mode and output signal to choose, the user can also match LCD demonstration according to the scene. The product is widely used in commercial buildings, laboratories, airports, railway stations, factories, workshops, museums, stadiums and other smart building HVAC control system as well as a single electronic device box, cabinets, air-conditioned box temperature & humidity control.

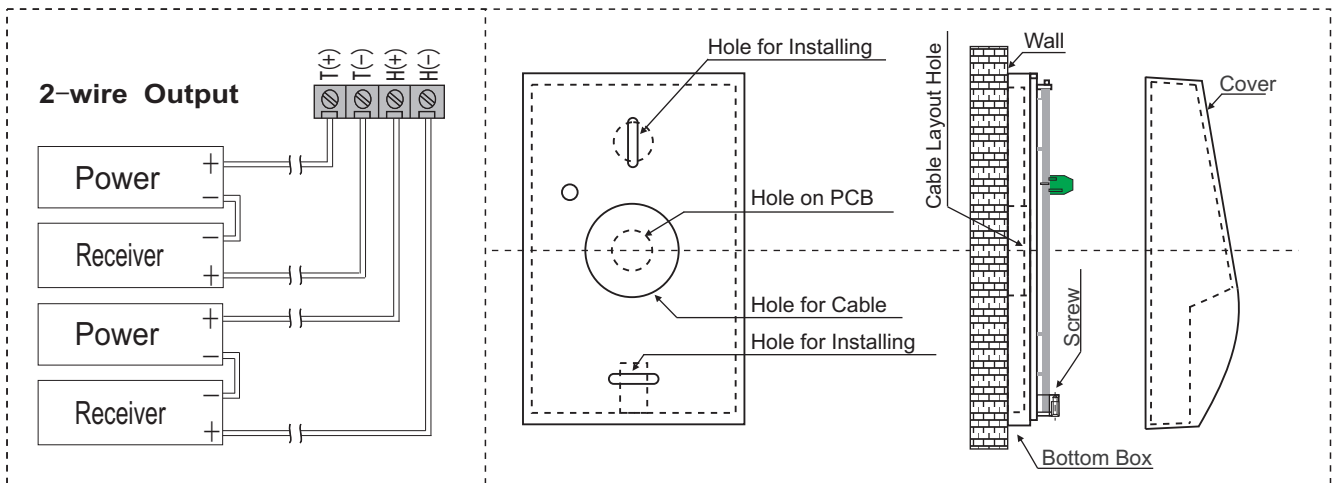
Enclosure&Dimensions (mm)



Specifications

Sensor	SHT20、SHT21、SHT25
Temperature Range	0~50℃、0~35℃、-20~80℃
Humidity Range	0~100%RH
Temperature Accuracy	±0.3℃、±0.5℃
Humidity Accuracy	±2%RH、±3%RH、±5%RH
Output Signal	4~20mA
Power Supply	24Vdc (Two-wire)
Respond Time	< 15秒(@25℃)
Working Conditions	0~70℃, 0~95%RH, No condensation
Protection	IP30
Display	LCD (Option)
Material	ABS
Environmental standard	RoHS

Wiring Diagram



Instructions for Installation

- Step1: Get the screw out, then make the Cover away from the Bottom Box.
- Step2: Keep the Bottom Box on the wall tightly and be ready to install.
- Step3: Use 2-4 screws (M4×10) to install.
- Step4: Connect according to the wiring diagram.
- Step5: Put the Cover on the Bottom Box and get the screw in.

Attentions

- When the transmitter is connected to the controller, to prevent noise interference, it is recommended to use 18 ~ 24AWG shielded cable.
- Confirm the analog input of the controller (AI) and the transmitter signal output to match before you connect, you must.
- When the temperature is outside the operating temperature range, please do not install the transmitter.
- Pay attention to the direction to mount the product when mounting and using, while avoiding the direct sunlight or the direct contact with heat or cold source.
- Make sure to turn off the power when installing and replacing the product.
- Recommend using the bracket to mount the product more than 20cm away from the mounting surface if a larger temperature difference between the mounting surface and the measured environment.
- Please according the product identification as some technical indicators of product may be modified.

Warranty

Products manufactured within 12 months, based on normal use and non-human damage to the product to provide free maintenance service.