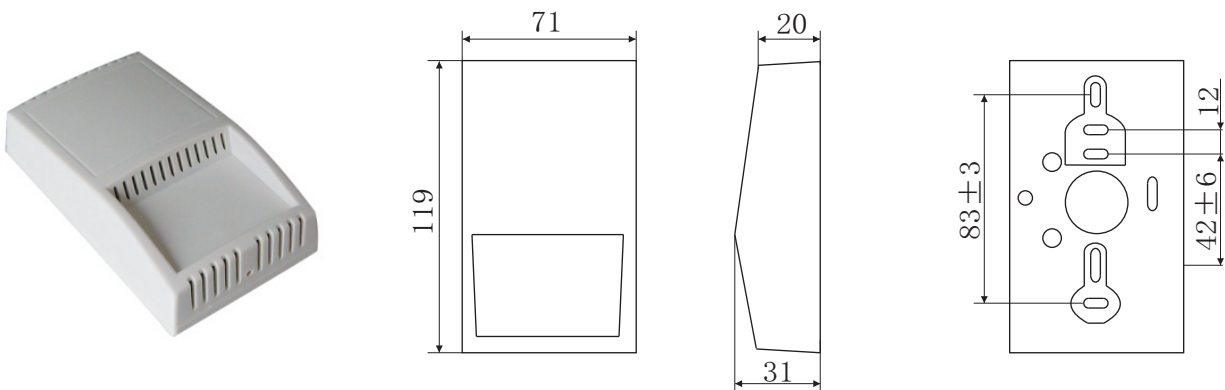


室内型温湿度变送器

产品简介

室内型温湿度变送器产品具有体积小、安装方便等特点，有多种供电方式和输出信号可选，用户还可以根据现场需要配置 LCD 显示。产品广泛应用于商业建筑、实验室、机场、车站、工厂车间、博物馆、体育馆等智能建筑的 HVAC 控制系统以及单个电子设备箱、机柜、空调箱的温湿度控制。

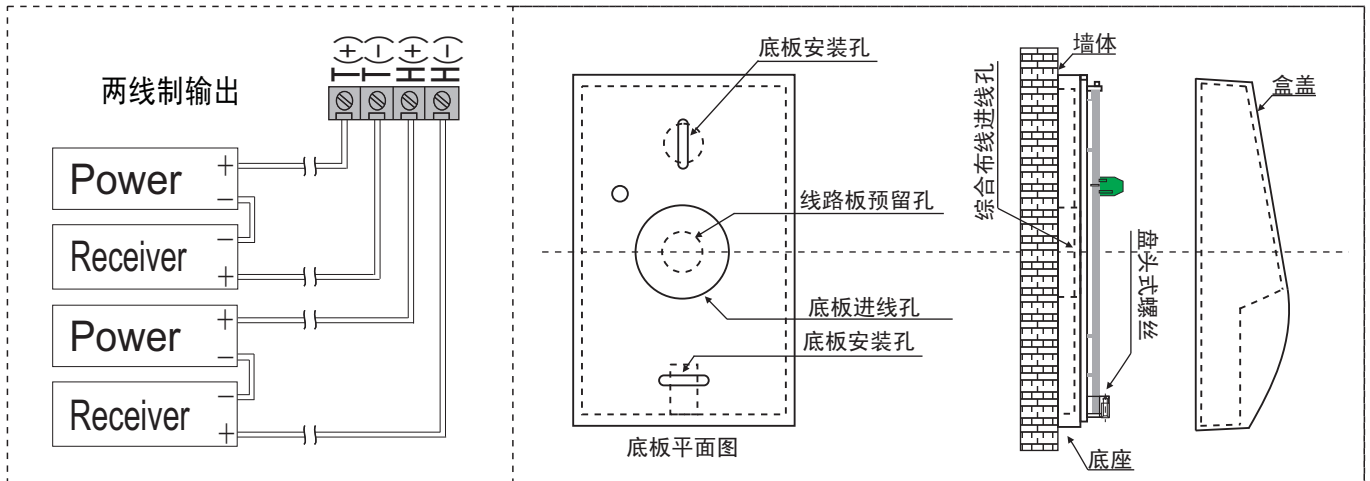
外形尺寸图 (mm)



技术参数

温度传感元件	SHT20、SHT21、SHT25
温度测量范围	0~50℃、0~35℃、-20~80℃ (以产品标识为准)
湿度测量范围	0~100%RH
温度测量精度	±0.3℃、±0.5℃
湿度测量精度	±2%RH、±3%RH、±5%RH
输出信号	4~20mA
工作电源	24Vdc (两线制)
响应时间	< 15秒 (25℃时)
工作环境	0~70℃，0~95%RH，无冷凝
外壳防护等级	IP30
显示类型	LCD 显示 (可选)
外壳材料	ABS
环保标准	RoHS

接线说明和安装图



安装说明

- 第一步：用十字螺丝刀把螺丝拆下，打开前盖与底座。
- 第二步：把底座垂直紧贴墙面准备安装。
- 第三步：用2-4个M4×10的螺钉将底座进行安装并固定好。
- 第四步：把线缆从底座大孔引入按照接线图进行接线。
- 第五步：把前盖安装到底座，将螺丝装上。

注意事项

- 当变送器连接控制器时，为防止噪声干扰，建议使用 18~24AWG 屏蔽线缆。
- 接通电源前，必须确认控制器的模拟输入端（AI）与变送器的信号输出端匹配。
- 在当温度超出工作温度范围时，请不要安装变送器。
- 变送器应安装在能够有效反应出被测区域温度的位置，并注意远离热源或冷源。
- 施工人员在安装和接线过程中应戴防静电手套和切断电源，不可带电操作。
- 如果安装面与被测环境有较大温差，建议使用支架距离安装面 20cm 以上安装。
- 产品部分技术指标有可能修改，以产品标识上的指标为准。

质量保证

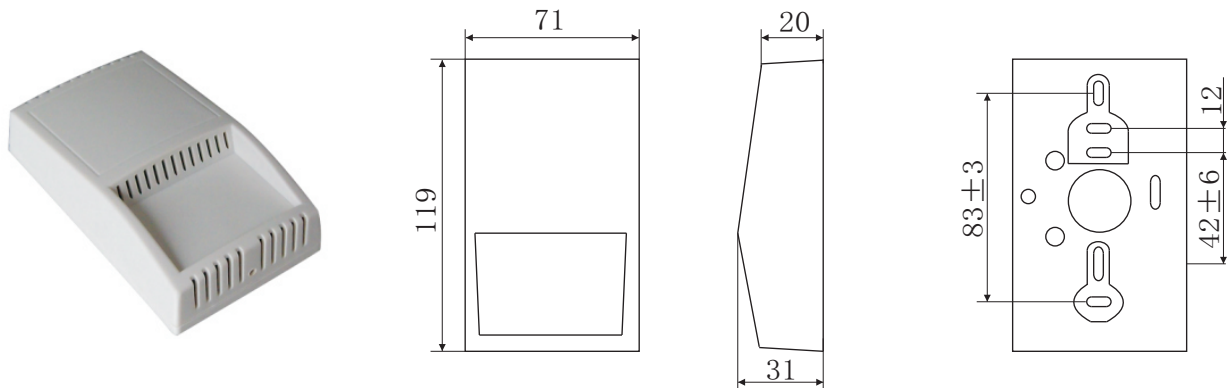
产品出厂 12 个月内，基于正常使用和非人为损坏，对产品提供免费维修服务。

Indoor Humidity&Temperature Transmitter

Introduction

Indoor Humidity&Temperature Transmitter is small, easy installation, and other features, there are several kinds of the power supply mode and output signal to choose, the user can also match LCD demonstration according to the scene. The product is widely used in commercial buildings, laboratories, airports, railway stations, factories, workshops, museums, stadiums and other smart building HVAC control system as well as a single electronic device box, cabinets, air-conditioned box temperature & humidity control.

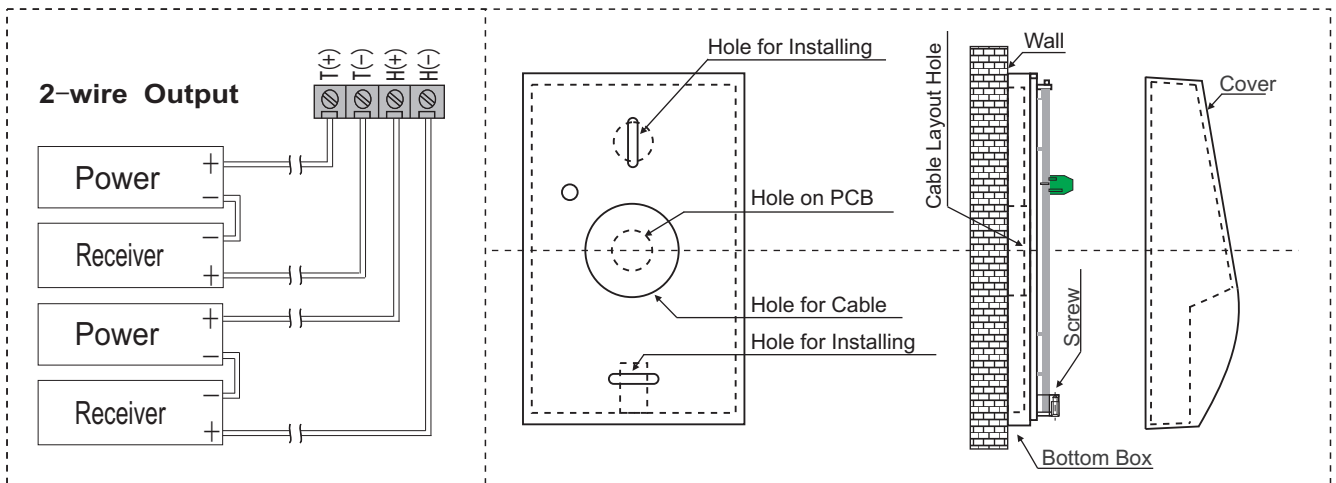
Enclosure&Dimensions (mm)



Specifications

Sensor	SHT20、SHT21、SHT25
Temperature Range	0~50℃、0~35℃、-20~80℃
Humidity Range	0~100%RH
Temperature Accuracy	±0.3℃、±0.5℃
Humidity Accuracy	±2%RH、±3%RH、±5%RH
Output Signal	4~20mA
Power Supply	24Vdc (Two-wire)
Respond Time	< 15秒(@25℃)
Working Conditions	0~70℃, 0~95%RH, No condensation
Protection	IP30
Display	LCD (Option)
Material	ABS
Environmental standard	RoHS

Wiring Diagram



Instructions for Installation

- Step1: Get the screw out, then make the Cover away from the Bottom Box.
- Step2: Keep the Bottom Box on the wall tightly and be ready to install.
- Step3: Use 2-4 screws(M4×10) to install.
- Step4: Connect according to the wiring diagram.
- Step5: Put the Cover on the Bottom Box and get the screw in.

Attentions

- When the transmitter is connected to the controller, to prevent noise interference, it is recommended to use 18 ~ 24AWG shielded cable.
- Confirm the analog input of the controller (AI) and the transmitter signal output to match before you connect, you must .
- When the temperature is outside the operating temperature range, please do not install the transmitter.
- Pay attention to the direction to mount the product when mounting and using, while avoiding the direct sunlight or the direct contact with heat or cold source.
- Make sure to turn off the power when installing and replacing the product.
- Recommend using the bracket to mount the product more than 20cm away from the mounting surface if a larger temperature difference between the mounting surface and the measured environment.
- Please according the product identification as some technical indicators of product may be modified.

Warranty

Products manufactured within 12 months, based on normal use and non-human damage to the product to provide free maintenance service.